



## Standard Shielding Cap & Shielding Cap for Double Sprinklers

### Product Description

Shielding cap covers are intended for use in high-bay racking and high-bay racking systems with fixed, stationary water systems for extinguishing fires. The component serves as a protection for suspended shelf sprinklers, in order to prevent their mutual cooling.

### Mounting Instructions

Shielding cap covers are very easy to install due to the integrated spring retainers. They are simply pushed over the thread of the sprinkler and clamped when the sprinkler is screwed in. This secures the screening covers against twisting and tilting.

When used for double sprinklers, two angled screening covers are to be used, which are to be aligned and fixed to prevent mutual cooling.

### Function

Shielding cap covers consist of the following parts:

- Item 1 Impact plate (sheet steel, zined)
- Item 2 Spring retainer (spring steel, zined)

Shielding cap covers are made from zined sheet steel with integrated spring retainer. Shielding cap covers are available for 1/2" and 3/4" sprinklers in standard design and in angled form (for double sprinklers).

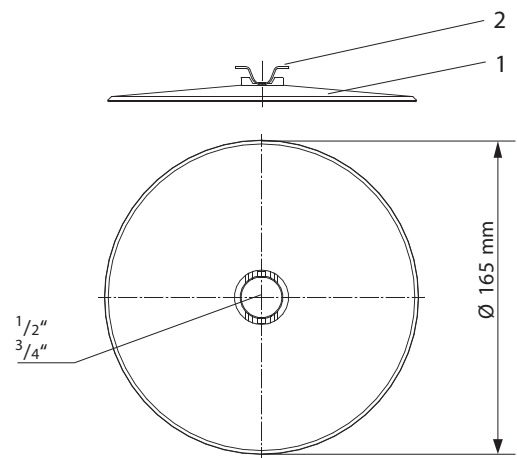
### Technical Specifications

Finish	Zinc Plated
Material	Mild Steel
Nominal Size	1/2" and 3/4" Sprinklers
Weight	80 g
Packaging unit	250 pieces

### Ordering Codes

Sprinkler Size	Description	Ordering Code
1/2"	Standard Shielding Cap	RDSPRSCST015GALV
3/4"	Standard Shielding Cap	RDSPRSCST020GALV
1/2"	Shielding Cap for Double Sprinklers	RDSPRSCA015GALV
3/4"	Shielding Cap for Double Sprinklers	RDSPRSCA020GALV

### Standard Shielding Cap



### Shielding Cap for Double Sprinklers

