

# Grooved 45° Elbow

## Model 120

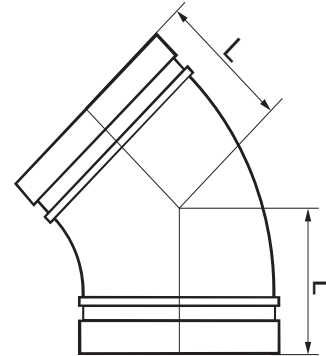


### Material Specification

- Ductile Iron - ASTM A536

### Finish

- Red painted (RAL 3000)
- Galvanised



Model Number (Red Painted)	Model Number (Galvanised)	Nominal Size mm/in	Pipe O.D mm/in	Working Pressure bar/psi			Dimensions L mm/in
				UL	FM / CNBOP	VdS	
RD120L033	RD120L033G	25 1	33.7 1.315	34.5 500	34.5 500	16 232	44.5 1.75
RD120L042	RD120L042G	32 1¼	42.4 1.660	34.5 500	34.5 500	16 232	44.5 1.75
RD120L048	RD120L048G	40 1½	48.3 1.900	34.5 500	34.5 500	16 232	44.5 1.75
RD120L060	RD120L060G	50 2	60.3 2.375	34.5 500	34.5 500	16 232	51 2.00
RD120L076	RD120L076G	65 2½	76.1 3.000	34.5 500	34.5 500	16 232	57 2.24
RD120L089	RD120L089G	80 3	88.9 3.500	34.5 500	34.5 500	16 232	63.5 2.50
RD120L114	RD120L114G	100 4	114.3 4.500	34.5 500	34.5 500	16 232	76 3.00
RD120L139	RD120L139G	125 5	139.7 5.500	34.5 500	34.5 500	16 232	82.5 3.25
RD120L168	RD120L168G	150 6	168.3 6.625	34.5 500	34.5 500	16 232	89 3.50
RD120L219	RD120L219G	200 8	219.1 8.625	34.5 500	34.5 500	16 232	108 4.25
RD120L273	RD120L273G	250 10	273.0 10.750	34.5 500	34.5 500	16 232	120.5 4.75
RD120L323	RD120L323G	300 12	323.9 12.750	34.5 500	34.5 500	16 232	133 5.25