



Bronze Butterfly Valve

Product Description

Rapidrop Threaded Butterfly Valve is a rotary type valve with visual indication of whether the valve is in fully open position or not. Butterfly valves are commonly used in fire protection systems as system control valves, zone valves. These valves have been designed with minimum flow restriction and pressure loss when in fully open position. To reduce the risk of a water hammer Rapidrop Butterfly Valves are provided with a slow close hand wheel operation gearbox.

Features

- All valves are mounted with an integral pre-wired supervisory tamper switch assembly. The tamper switch signal movement of the valve disc from the fully open position
- Switch rating:
10.1 Amps-125/250VAC-60Hz,
Actual switch application rating:
10 Amps/115 VAC-60Hz
0.5 Amps/28 VDC
- All Valves are furnished with tamper switch assemblies for indoor and outdoor use
- A 1/4 turn valve with slow closing and opening to prevent water hammer and shock in the fire protection service

Working Pressure

Max. working pressure 20.7 bar (300 psi)

Connections

NPT threads in accordance with ANSI/ASME B1.20.1

Standard roll or cut groove to AWWA C606 (special order)

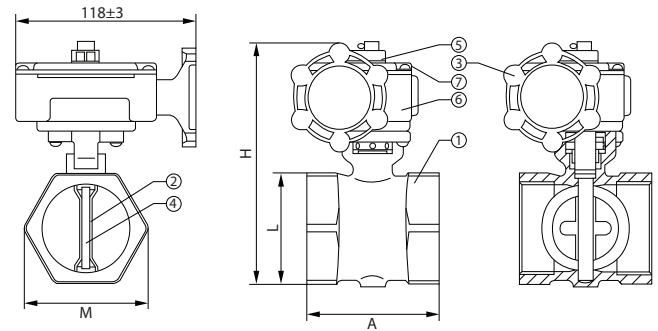
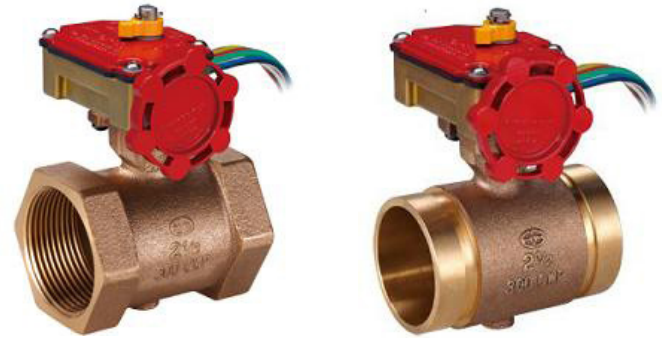
Approvals

FM Approved

UL Listed

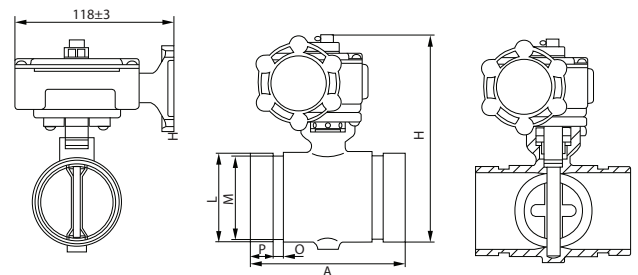
Material Specification

Part No.	Description	Material
1	Body	Bronze ASTM 584 C83600 Brass ASTM 584 C87850
2	Disc	SS304 Sheet Stamping
3	Handwheel	ASTM A216 WCB
4	Seat	ASTM D2000 VITON / EPDM
5	Indicator	Powder Metal FD0205 95HT
6	Housing	Forged Brass Jis C3771 Ref. ASTM C37700
7	Cover	Forged Brass Jis C3771 Ref. ASTM C37700



Dimensions (threaded ends)

Size		A	H	L	M	Ordering Codes
mm	inch					
DN25	1"	54	129	40	45	RD2811A025
DN32	1 1/4"	66.7	130.2	49.2	55	RD2811A032
DN40	1 1/2"	73	142.1	55.6	60.3	RD2811A040
DN50	2"	82.6	155.6	70	79	RD2811A050



Dimensions (grooved ends) *Special Order

Size		A	H	P	O	M	L
mm	inch						
DN32	1 1/4"	98	132.2	15.9	8	39	42.4
DN40	1 1/2"	102	138.9	15.9	8	45.1	48.3
DN50	2"	104	154.2	15.9	8	57.1	60.3

Manufactured by Y.S. Valve who hold the FM Approval and UL Listing

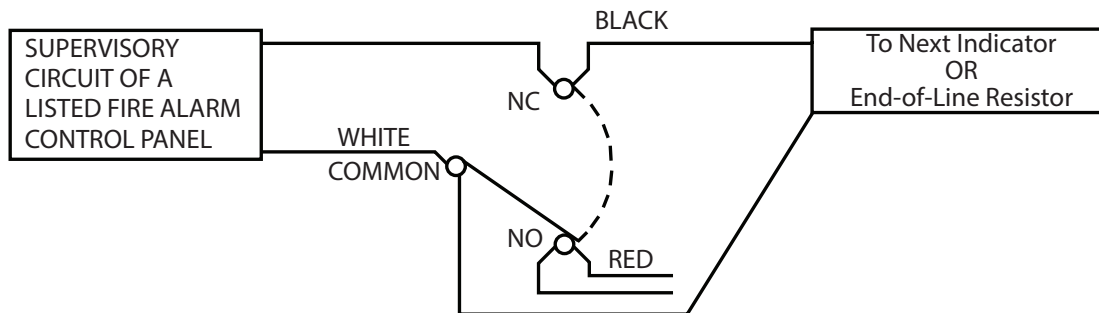
DS: 1.03
Issue D
14/04/2021
© 2021 Rapidrop

Rapidrop Global Ltd
T: +44 (0) 1733 847 510 F: +44 (0) 1733 553 958
e: rapidrop@rapidrop.com
w: www.rapidrop.com

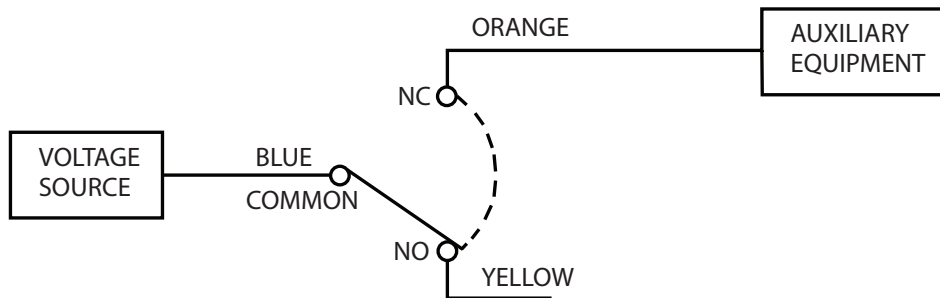
Bronze Butterfly Valve

Wiring Diagram

SWITCH 1 : DUAL LEADS SOLDERED TO SWITCH TABS



SWITCH 2 : SINGLE LEADS SOLDERED TO SWITCH TABS



Green wire is provided as ground for the switch housing.
Switch rating: 10.1Amps-125/250VAC-60Hz
Actual switch application rating: 10Amps/115VAC-60Hz, 0.5Amps/28VDC

Important Installation Information

- Rapidrop Butterfly Valves must only be installed by a competent person in accordance with requirements of the local authority having jurisdiction. Deviations from these standards will invalidate warranty.
- It is the responsibility of the installing contractor to include a copy of this document in the sprinkler system installation, operating and maintenance manual.
- Alterations to Rapidrop products will void any warranty.
- Butterfly Valves should be inspected and maintained during routine sprinkler system inspections by a competent person in accordance with national codes/requirements.
- Failure to follow these instructions could cause improper operation, resulting in personal injury and/or property damage.
- For further details and technical support please contact your Rapidrop sales representative.

Manufactured by Y.S. Valve who hold the FM Approval and UL Listing