



# Sprinkler Alarm & Monitoring System

## Fig.9251

### Product Description

The FloWatch 9251 Sprinkler Alarm and Monitoring System is suitable for single or multiple occupancy dwelling systems designed and installed in accordance with BS9251 or BS EN 16925. The aim of monitoring sprinkler systems is the continuous supervision of the main functions of the system, i.e. those whose failure might impair the correct automatic operation of the system in case of fire, and the raising of a supervisory alarm to allow corrective measures to be taken.

The FloWatch 9251 Monitoring System monitors the following:

- Flow switches for sprinkler activation
- Correct position of monitored isolation valves
- Water level switches in storage tanks
- Fault output signal from pump, pump control or booster set

In the event of a sprinkler activation or fault on the system, an audible and visual alarm will be raised on the FloWatch 9251 Master Panel which has the ability to interface with BMS Fire Alarm Panel or monitoring station.

### Installation

Power supply to The FloWatch 9251 Sprinkler Alarm and Monitoring System must be installed in accordance with the latest edition of BS7671 by a qualified electrician. FP200 or equivalent cable is required for all Network and I/O wiring.

### Ordering Codes

Part No.	Description
RDFWM9251	FloWatch 9251 Master Panel
RDFWEM4	FloWatch 9251, 4 Way Expansion Module
RDFWEM8	FloWatch 9251, 8 Way Expansion Module

### FloWatch 9251 Master Panel



- Monitors pump/tank and up to 4 flow switches/isolation valves
- Suitable for single or multiple occupancy dwellings
- Fully addressable
- Local audible and visual alarms
- Suitable for new or retrofit projects
- Expandable, accommodates both 4 way and 8 way modules
- Modbus compatibility with BMS
- 24 Hour battery backup
- Optional built-in GSM Sim for remote monitoring (subscription required)

### FloWatch 9251 Expansion Modules



- Up to 16 expansion units can be connected to a single master unit allowing up to a maximum of 132 flow switches/isolation valves to be monitored on a single system.
- Each 4 way expansion unit allows additional 4 Inputs.
- Each 8 way expansion unit allows additional 8 Inputs.
- No power required to expansion unit - powered over network.

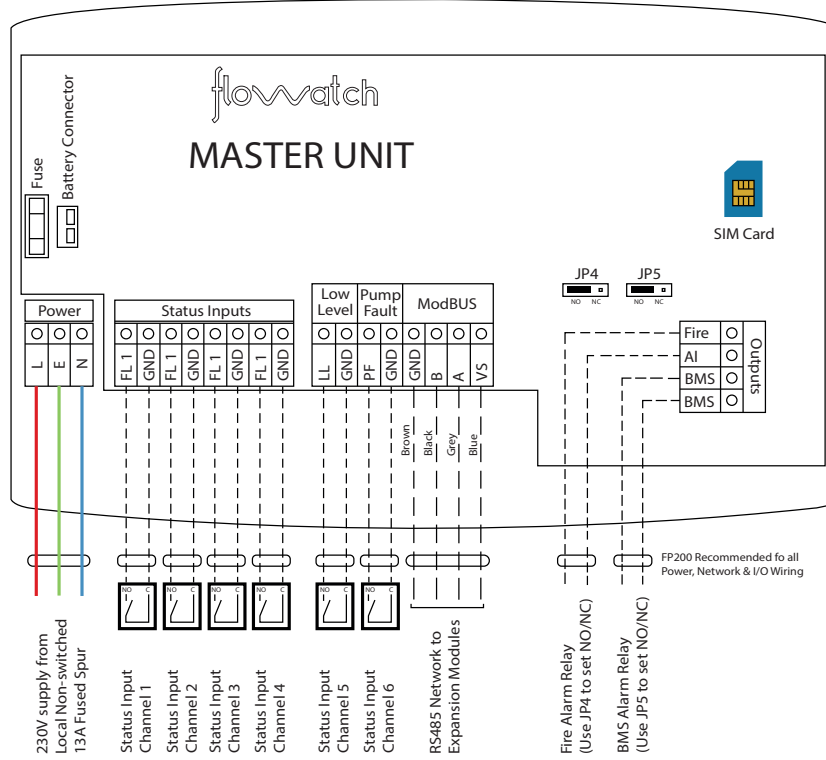




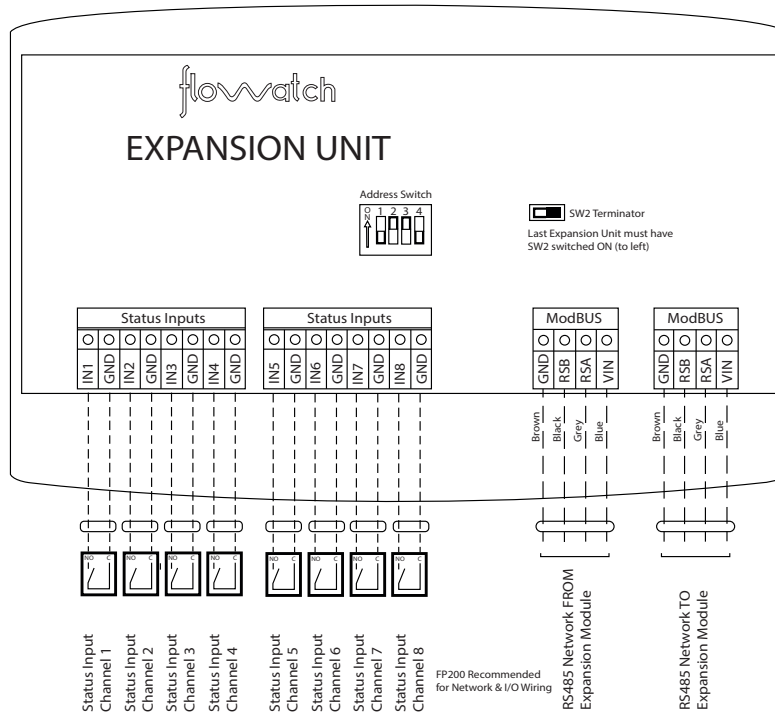
# Sprinkler Alarm & Monitoring System

## Fig.9251

### Wiring Details for Master Unit



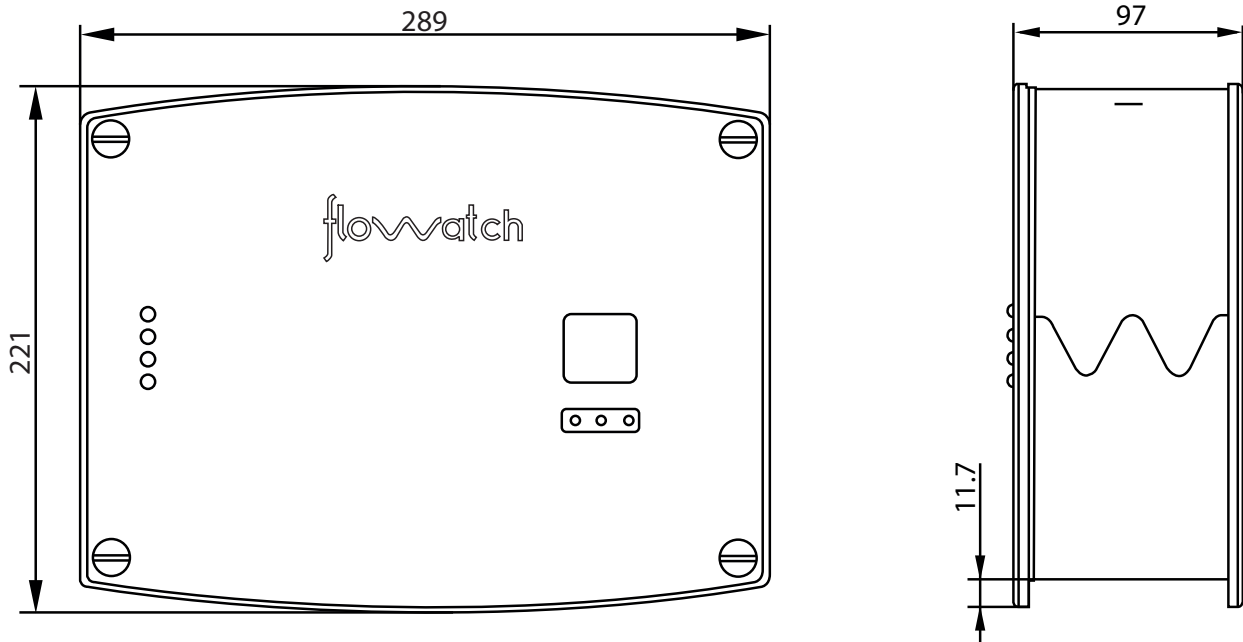
### Wiring Details for Expansion Unit





# Sprinkler Alarm & Monitoring System Fig.9251

FloWatch 9251 Master Panel Dimensions



FloWatch 9251 Expansion Modules Dimensions

