



Rapidrop Lumi-Plugin Sprinkler Downlight

Product Description

Typically fire suppression systems, fire detection and emergency lights all compete with interior lighting for the same space within the ceiling layout. Now they don't have to.

The compact and simplistic design of Lumi-Plugin LP110, allows it to seamlessly blend into its surroundings combining and or enabling services without compromising the property's interior.

Lumi-Plugin's multi-functional design can reduce initial installation costs due to combined systems rather than separate installations, reducing the quantity and size of openings required in the ceiling structure. Additional lifetime savings can be achieved due to low voltage LEDs and PIR sensor plugins.

The unique patented design where the luminaire fully surrounds the sprinkler head ensures that the future operation of the sprinkler head cannot be compromised from the application of paint or sealant accidentally being applied.



IP54 Rating

With an IP54 rating, Lumi-Plugin is both dust proof and water resistant to ensure the longevity of the product. Sprinkler heads should not be installed where they may be subjected to a corrosive environment including chlorine ion and chloride. IP65 rating applies to light only (exposed surface).

Fire Rated 30/60/90

Lumi Plugin exceeds the requirements of BS EN 1365-2: 2014, fire resistance tests for loadbearing elements, floors and roofs. These tests were conducted at the Building Research Establishment (BRE) based in Watford, United Kingdom.

Cool White or Warm White Light

Suitable for both domestic and commercial properties with 3000K or 4000K variants available.

Test/Approvals

- Loaded floor test to EN 1365-2: 2014
- CE Marked

LPCB Commercial Installations

Commercial installations to LPS 1048 can be achieved in conjunction with RD107 Concealed Sprinkler.

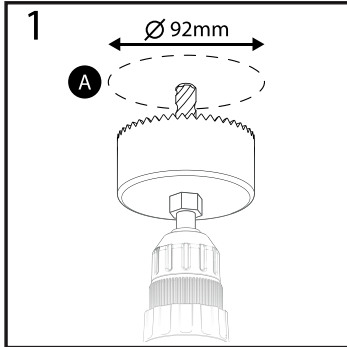
Residential Installations

Residential Installations to BS 9251: 2014 can be achieved in conjunction with RD205 Residential Concealed Sprinkler.

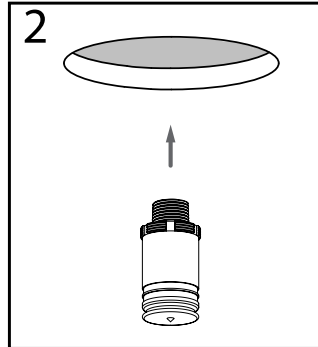
Specification

Description	Materials
IP Rating	IP65 light only (exposed surface) IP54 with sprinkler installed (exposed surface) IP20 whole product
Material	Stainless Steel Chassis Aluminium Bezel Polycarbonate
Input Voltage to Driver	220V-240V
Power Output	8.5W
Colour Temp	3000k - Warm White 4000k - Cool White
Dimmable	Yes
Fire Rating	30/60/90 Solid Joist 30 - Metal Webbed Joist and I Joist
Luminaires per pack	1
Product Diameter	110mm
Product Depth	55mm
Hole Cutout Size	92mm
Average Lifespan	50,000 hours
Brightness	600 lumens
Beam Angle	100°
Available Colours	White RAL 9016 as standard Other RAL Colors available on request

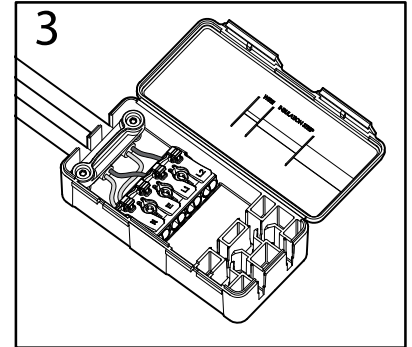
Rapidrop Lumi-Plugin Sprinkler Downlight



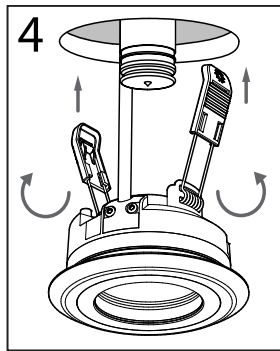
1 . Drill the correct size cut out into the ceiling



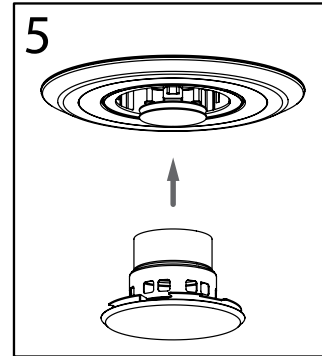
2 . Install the Sprinkler



3 . Connect the mains power supply



4 . Press spring loaded clips and install into ceiling over sprinkler head



5 . Remove the protective cap from the sprinkler and install the cover plate

Installation Instructions When Combined with Rapidrop Sprinkler Heads

The original classifications for sprinkler response time index and water spray distribution remain unchanged as long as the installation instructions below are adhered to.

1. Prepare a 92mm diameter round hole in the ceiling board / tile that when installed will align with the centre line of the sprinkler head drop pipe. The use of Rapidrop flexible sprinkler connection drops will afford both horizontal and vertical adjustment to ensure correct positioning**.

Mount the ceiling board / tile.

2. Install Rapidrop sprinkler head. Sprinkler heads must be installed in accordance with the relevant Rapidrop technical data sheets. The vertical installed depth above / below the ceiling level must be within the maximum/minimum limits given on the technical data sheet. Note: an allowance of 6mm is to be taken into consideration as the light unit will sit 6mm below the ceiling level. The latest issue data sheets are available from www.rapidrop.com.

3. Connect Lumi-Plugin transformer power lead to the mains power supply. Electrical power connection to the supplied transformer must be completed by a competent person, i.e. Part P compliant for domestic applications, NICEIC compliant for industrial applications. Always isolate power supply.

4. Compress spring arms and pass light unit through the hole in the ceiling board/tile.

5. Remove sprinkler cover cap. Mount Rapidrop concealed sprinkler head cover plate. Re instate both water and electrical power supply. Complete sprinkler system pressure test in accordance with applicable system design and installation codes.

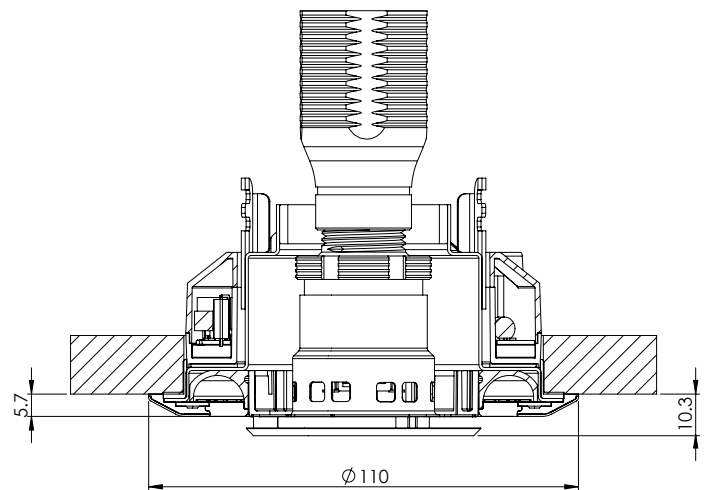
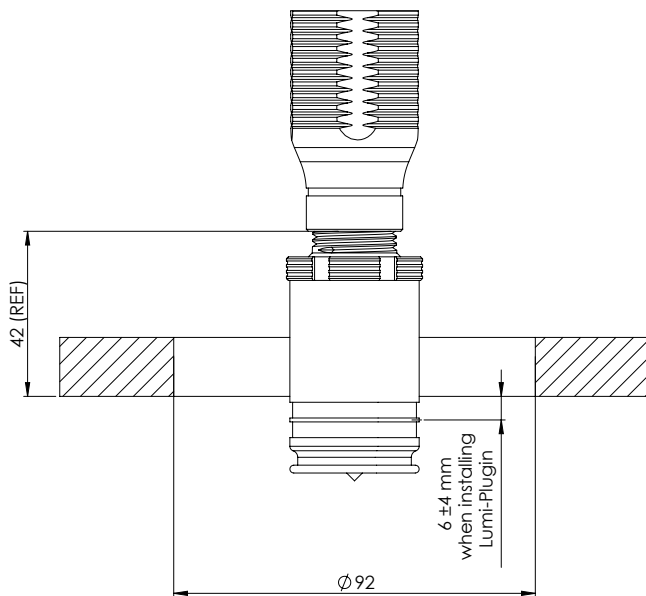
** When installed with Rapidrop flexible sprinkler connection drops, the light unit can be mounted in the ceiling board / tile and the sprinkler head passed through the centre of the light unit from above.

The LED light unit is designed so that if required, sprinkler head can be dismantled and remounted without the need to remove the light unit using RD107/RD205 sprinkler socket. In the event that the light unit needs to be replaced, it can be withdrawn over the sprinkler head without the need to remove the sprinkler head itself, only the sprinkler head concealed cover plate.



Rapidrop Lumi-Plugin Sprinkler Downlight

RD107 & RD205



Important Information

- The original classification of sprinkler response time index and water spray distribution remain unchanged as long as the installation instructions on www.rapidrop.com website are adhered to.
- The luminaire is designed for indoor use only.
- The luminaire must be installed in accordance with local wiring regulations if in doubt seek advice from a qualified electrician.
- The luminaire is dimmable.
- The luminaire is fire rated 30/60/90 minutes under EN1365-2:2014 fire test.
- In the event that the luminaire needs to be replaced, it can be withdrawn over the sprinkler head without the need to remove the sprinkler head itself. Rapidrop concealed type heads will require only the cover plate to be removed prior to the luminaire.
- Before installing or completing maintenance work on the luminaire, make sure the mains power is switched off.
- The luminaire is IP54 rated so is suitable to be installed in wet areas.

Guarantee

- This product is guaranteed for a period of 5 years or 50,000 hours
- The guaranteed period is invalid if the luminaire has been tampered with, removal of the luminaire labels; manufacturing label, rating label and serial label or the luminaire has not been installed in accordance with local wiring regulations.
- If the product does fail within the guaranteed period Lumi-Plugin Limited will replace the luminaire free of charge but have no responsibility for the installation costs.
- Lumi-Plugin reserves the right to change the product specification without notice.
- Lumi-Plugin are not responsible for any liability relating to the sprinkler installation, operation or maintenance.