



Vane Type Water Flow Switch Model VSR-S (EU)

Product Description

The Model VSR-S (EU) is a vane type waterflow switch for use on wet sprinkler systems that use 25mm (1"), 32mm (1¼"), 38mm (1½") or 50mm (2") pipe size. The unit may also be used as a sectional waterflow detector on large systems.

The unit contains two single pole double throw snap action switches and an adjustable, instantly recycling pneumatic retard. The switches are actuated when a flow of 38 LPM (10 GPM) or more occurs downstream of the device. The flow condition must exist for a period of time necessary to overcome the selected retard period.

Enclosure

The VSR-S (EU) switches and retard device are enclosed in a general purpose, die-cast housing. The cover is held in place with two tamper resistant screws which require a special key for removal. A field installable cover tamper switch is available as an option which may be used to indicate unauthorized removal of the cover.

Installation

These devices may be mounted in horizontal or vertical pipe. On horizontal pipe they should be installed on the top side of the pipe where they will be accessible. The units should not be installed within 15cm (6") of a valve, drain or fitting which changes the direction of the waterflow. Select the proper paddle for the pipe size and type of TEE used see Fig. 1 for instructions on changing paddle. The unit has a 1" BSPT bushing for threading into a non-corrosive TEE. See Fig. 2 for proper TEE size, type and installation. Use no more than three wraps of teflon tape. Screw the device into the TEE fitting as shown in Fig. 2. Care must be taken to properly orient the device for the direction of waterflow. The vane must not rub the inside of the TEE or bind in any way. The stem should move freely when operated by hand. The device can also be used in copper or plastic pipe installations with the proper adapters so that the specified TEE fitting may be installed on the pipe run. The VSR-S (EU) can only be installed in factory TEEs with a 1" BSPT bull. Reducing bushings, mechanical TEEs or weld-olets are not allowed.

Note: Do not leave cover off for an extended period of time.

Caution

Do not trim the paddle. Failure to follow these instructions may prevent the device from operating and will void the warranty.

Do not obstruct or otherwise prevent the trip stem of the flow switch from moving when water flows as this could damage the flow switch and prevent an alarm.

If an alarm is not desired, a qualified technician should disable the alarm system.



Technical Details

| | |
|-----------------------------------|--|
| Working Pressure | 20.7 bar (300 psi) |
| Flow Sensitivity Range for Signal | 15-38 LPM (4-10 GPM) - UL |
| Pressure Loss | 0.2 bar (3 psi) max. at 5 m/s |
| Maximum Surge | 5.5 m/s (18 FPS) |
| Enclosure | Die-cast, red enamel finish Cover held in place with tamper resistant screws |
| Contact Ratings: | Two sets of SPDT (Form C) 10.0 Amps at 125/250 VAC 2.0 Amps at 30 VDC Resistive 10m Amps min. at 24 VDC |
| Conduit Entrances | Two ½" openings provided for conduit or cable fitting. |
| Usage | Listed plastic, copper and schedule 40 iron pipe. Fits pipe sizes - 25mm (1"), 32mm (1¼"), 38mm (1½") and 50mm (2") Note: 12 paddles are furnished with each unit, one for each pipe size of threaded and sweat TEE, one for 25mm (1") CPVC, one for 25mm (1") CPVC (Central), one for 1" threaded Nibco CPVC, and one for 38mm (1½") threaded (Japan). |
| Environmental Specifications | • NEMA-4/IP54 Rated enclosure suitable for indoor or outdoor use with factory installed gasket and die-cast housing when used with appropriate conduit or cable fitting. • Temperature range: 4.5° C to 49° C (40° F to 120° F) UL |
| Service Use | Automatic Sprinkler NFPA-13 One or two family dwelling NFPA-13D Residential occupancy up to four stories NFPA-13R National Fire Alarm Code NFPA-72 |

Manufactured by Potter who hold UL Listing, LPCB and CE Certificates

DS: 2.15
Issue A
19/08/2020
© 2020 Rapidrop

Rapidrop Global Ltd
T: +44 (0) 1733 847 510 F: +44 (0) 1733 553 958
e: rapidrop@rapidrop.com
w: www.rapidrop.com

Vane Type Water Flow Switch Model VSR-S (EU)

Retard Adjustment

The delay can be adjusted by rotating the retard adjustment knob from 0 to the max setting (20- 30 seconds). The time delay should be set at the minimum required to prevent false alarms.

DO NOT LEAVE COVER OFF FOR EXTENDED PERIOD OF TIME

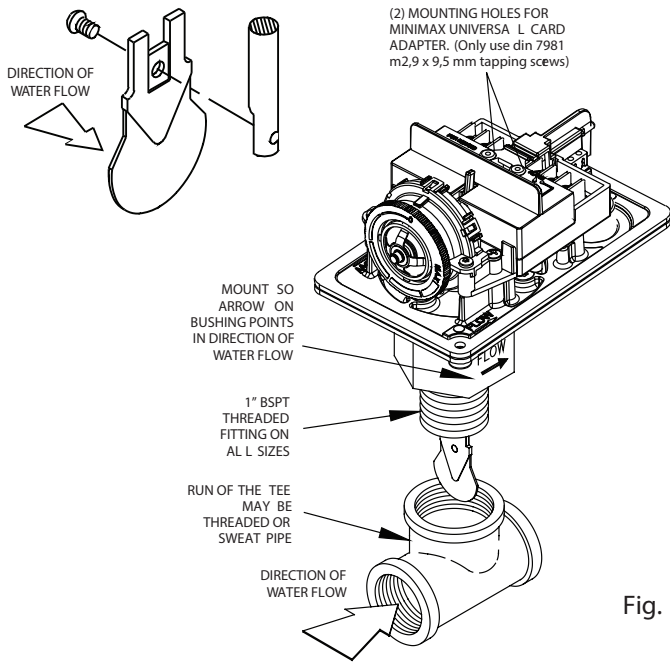
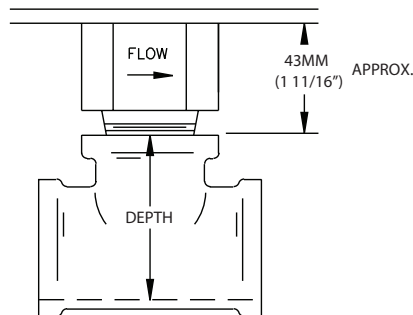


Fig. 1

Warning

There are 12 paddles furnished with each unit. One for each size of threaded, sweat or plastic TEE as described in Fig. 2. These paddles have raised lettering that shows the pipe size and type of TEE that they are to be used with. The proper paddle must be used. The paddle must be properly attached (see drawing) and the screw that holds the paddle must be securely tightened.

Fig. 2



Screw the device into the tee fitting as shown. Care must be taken to properly orient the device for the direction of waterflow. On sweat tees, no threaded bushings, inserts, or adapters are permitted, unless they comply with the dimensions listed in the chart below. Important - The depth to the inside bottom of the tee should have the following dimensions:

| Approximate Depth Requirement | | | |
|-------------------------------|----------|---------|---------|
| Tee Size | Threaded | Sweat | CPVC |
| 1" x 1" x 1" | 2 1/16" | 1 3/4" | 2 7/16" |
| 1 1/4" x 1 1/4" x 1" | 2 7/16" | 2 7/16" | N/A |
| 1 1/2" x 1 1/2" x 1" | 2 11/16" | 2 1/4" | N/A |
| 2" x 2" x 1" | 3 3/16" | 2 3/4" | N/A |

Use only factory TEES with a 1" BSPT bull. Reducing bushings, mechanical TEES or weld-olets are not allowed.

Warning

Do not use more than three wraps of teflon tape.

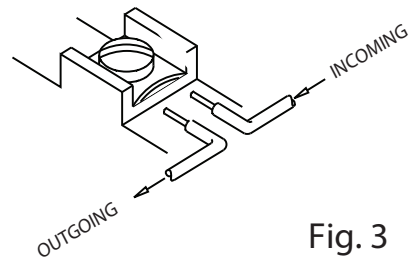


Fig. 3

Warning

An uninsulated section of a single conductor should not be looped around the terminal and serve as two separate connections. The wire must be severed, thereby providing supervision of the connection in the event that the wire become dislodged from under the terminal. Failure to sever the wire may render the device inoperable risking severe property damage and loss of life.

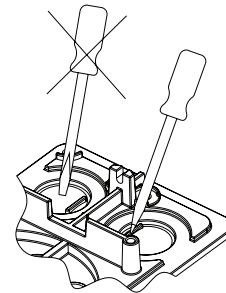


Fig. 4

To remove knockouts: Place screwdriver a edge of knockouts, not in the center.

Vane Type Water Flow Switch Model VSR-S (EU)

Typical Electrical Connections

Notes:

1. The Model VSR (EU) has two switches, one can be used to operate a central station, proprietary or remote signaling unit, while the other contact is used to operate a local audible or visual annunciator.
2. For supervised circuits, see "Switch Terminal Connections" drawing and warning note (Fig. 3)

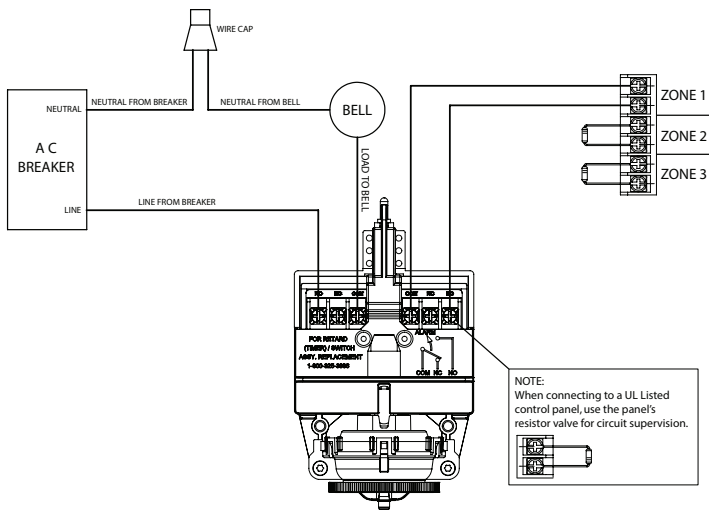


Fig. 5

Testing

The frequency of inspection and testing for the Model VSR-S (EU) and its associated protective monitoring system should be in accordance with applicable NFPA Codes and Standards and/or the authority having jurisdiction (manufacturer recommends quarterly or more frequently.) An inspector's test valve (usually located at the end of the most remote branch line) should always be used for test purposes. If there are no provisions for testing the operation of the flow detection device on the system, application of the VSR-S (EU) is not recommended or advisable. A minimum flow of 38 LPM (10 GPM) is required to activate this device.

Notice: Please advise the person responsible for testing of the fire protection system that this system must be tested in accordance with the testing instructions.

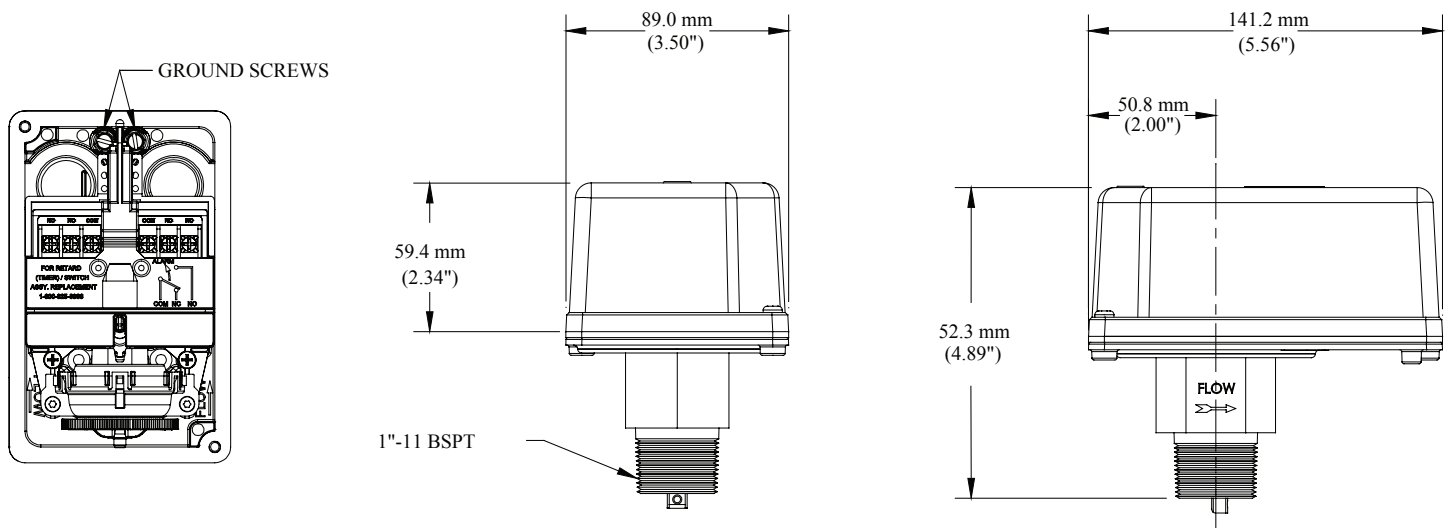
Maintenance

Inspect detectors monthly for leaks. If leaks are found, replace the detector. The VSR-S (EU) waterflow switch should provide years of trouble-free service. The retard and switch assembly are easily field replaceable. In the unlikely event that either component does not perform properly, please order replacement retard switch assembly. There is no maintenance required, only periodic testing and inspection.

Caution

Waterflow switches that are monitoring wet pipe sprinkler systems should not be used as the sole initiating device to discharge AFFF, deluge, or chemical suppression systems. Waterflow switches used for this application may result in unintended discharges caused by surges, trapped air, or short retard times.

Mounting Dimensions



Manufactured by Potter who hold UL Listing, LPCB and CE Certificates