



## Grooved Rigid Coupling Model DRG001

### General Description

Rapidrop DRG001 Grooved coupling is used in the assembly of grooved piping systems. The coupling halves are designed to fit tightly in the groove around the circumference of the pipes, providing a mechanical interlock which prevents movement of the pipes whilst also enclosing the EPDM gasket to form a seal.

The standard duty rigid couplings are used where no movement in the system pipe work is expected.

### Material Specification

- Body - Cast iron, QT450-10
- Bolts and nuts - Carbon steel, 35K

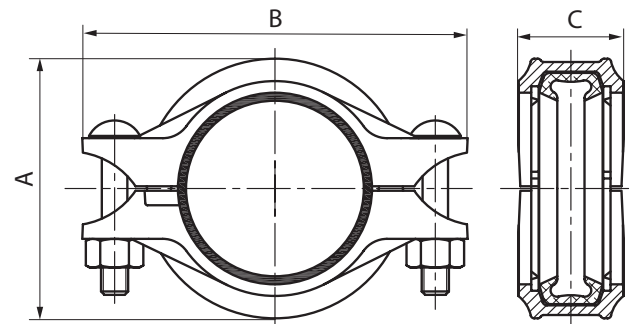
### Gasket Specification

- EPDM

Temperature range -34°C to +110°C (-30°C to +230°F). Recommended for hot water service within specified temperature range plus a variety of diluted acids, oil free air and many chemical services. Not recommended for petroleum service.

### Finish

- Galvanised



| Model Number<br>(Galvanised) | Nominal Size<br>mm/in | Pipe O.D<br>mm/in | Max. Working Pressure<br>bar (psi) |               |             | Dimensions |            |            | Specified Bolt Torque<br>ANSI BOLTS |                       |         |
|------------------------------|-----------------------|-------------------|------------------------------------|---------------|-------------|------------|------------|------------|-------------------------------------|-----------------------|---------|
|                              |                       |                   | UL                                 | FM            |             | A<br>mm/in | B<br>mm/in | C<br>mm/in | Bolt Size<br>mm                     | Specified Bolt Torque |         |
|                              |                       |                   |                                    | Rolled        | Cut Grooved |            |            |            |                                     | Roll Grooved          | Lbs-Ft. |
| RDDRG001                     | 100<br>4"             | 114.3<br>4.5"     | 27.5<br>(400)                      | 34.5<br>(500) | 16<br>(232) | 144        | 193        | 50         | M12x65                              | 3.68-14.75            | 5-20    |

Manufactured by Weifang 100Tong Casting Co., Ltd. who hold the UL Listing and FM Approval



## Grooved Rigid Coupling Model DRG001



1. Pipe Preparation

Check pipe end for proper groove dimensions and to assure that pipe end is free of indentations and projections that would prevent proper sealing.



2. Lubricate Gasket

Check gasket to be sure it's compatible for the intended service. Apply thin lubricant to the outside and sealing lips of the gasket.



3. Gasket Installation

Slip the gasket over one pipe, making sure the gasket lip does not over-hang the pipe end.



4. Alignment

After aligning two pipe ends together, pull the gasket into position, centering between the grooves on each pipe. The gasket should not extend into the groove on either pipe.



5. Housing Installation

Remove one bolt&nut and loosen the other nut. Place one housing over the gasket, making sure the housing keys fit into the pipe grooves. Swing the other housing over the gasket and into the grooves on both pipes. Re-insert the bolt and connect two housings.



6. Tighten Nuts

Check gasket to be sure it's compatible for the intended service. Apply thin lubricant to the outside and sealing lips of the gasket.



7 a. Assembly completed-  
Rigid Coupling

Slip the gasket over one pipe, making sure the gasket lip does not over-hang the pipe end.



7 b. Assembly Completed  
Flexible Coupling

After aligning two pipe ends together, pull the gasket into position, centering between the grooves on each pipe. The gasket should not extend into the groove on either pipe.

### Caution

Proper torquing of bolts is required to obtain specified performance.

- Over torquing the bolts may result in damage to the bolt and / or casting which could result in pipe joint separation.
- Under torquing the bolts may result in lower pressure retention capabilities, lower bend load capabilities, joint leakage and pipe joint separation. Pipe joint separation may result in significant property damage and serious injury.

Manufactured by Weifang 100Tong Casting Co., Ltd. who hold the UL Listing and FM Approval