



Data Sheet 8.53

Issue C



Grooved 90° Elbow Model 90 & 90S



Material Specification

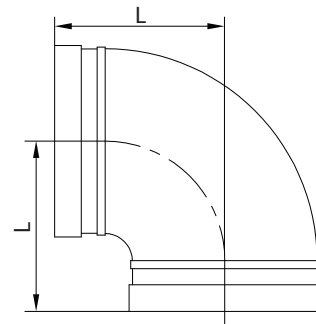
- Ductile Iron - ASTM A536

Options

- Model 90 - 90° Elbow
- Model 90S - 90° Short Radius Elbow

Finish

- Red painted (RAL 3000)
- Galvanised



Model Number (Red Painted)	Model Number (Galvanised)	Nominal Size mm/in	Pipe O.D mm/in	Max. Working Pressure bar/psi			Dimensions L mm/in
				UL	FM	VdS	
RD90L033	RD90L033G	25 1	33.7 1.315	34.5 500	34.5 500	16 232	57 2.24
RD90L042	RD90L042G	32 1¼	42.4 1.660	34.5 500	34.5 500	16 232	70 2.75
RD90L048	RD90L048G	40 1½	48.3 1.900	34.5 500	34.5 500	16 232	70 2.75
RD90S060*	RD90S060G*	50 2	60.3 2.375	20.7 300	20.7 300	16 232	70 2.75
RD90S076*	RD90S076G*	65 2½	76.1 3.000	20.7 300	20.7 300	16 232	76 3.00
RD90S089*	RD90S089G*	80 3	88.9 3.500	20.7 300	20.7 300	16 232	85.5 3.37
RD90S114*	RD90S114G*	100 4	114.3 4.500	20.7 300	20.7 300	16 232	101 3.98
RD90S139*	RD90S139G*	125 5	139.7 5.500	-	20.7 300	16 232	124 4.88
RD90S168*	RD90S168G*	150 6	168.3 6.625	20.7 300	20.7 300	16 232	140 5.50
RD90S219*	RD90S219G*	200 8	219.1 8.625	20.7 300	20.7 300	16 232	165 6.50
RD90L273	RD90L273G	250 10	273.0 10.750	20.7 300	34.5 500	16 232	229 9.00
RD90L323	RD90L323G	300 12	323.9 12.750	15.5 225	34.5 500	16 232	254 10.00

*Model 90S - 90° short radius elbow

DS: 8.53
Issue C
08/10/2019
© 2019 Rapidrop

Rapidrop Global Ltd
T: +44 (0) 1733 847 510 F: +44 (0) 1733 553 958
e: rapidrop@rapidrop.com
w: www.rapidrop.com