



# Sprinkler Guard RDGD01 Sprinkler Shields RDBF01, RDBF02, RDBF03

## Product Description

Rapidrop Sprinkler Guard encases the sprinkler to protect it from physical damage. Guards are recommended for sprinklers installed in areas exposed to high level of mechanical activities, e.g warehouse racks.

Sprinkler Shields are used in multilevel fire protection systems to ensure proper operation of lower level sprinklers. Shield provides protection for the heat responsive element of the sprinkler from direct spray of water from the neighbouring sprinkler or from the run-off water from the sprinkler installed above, both of which could delay or prevent the sprinkler from operation.

## Coating

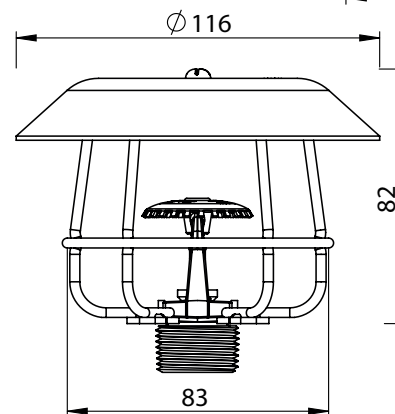
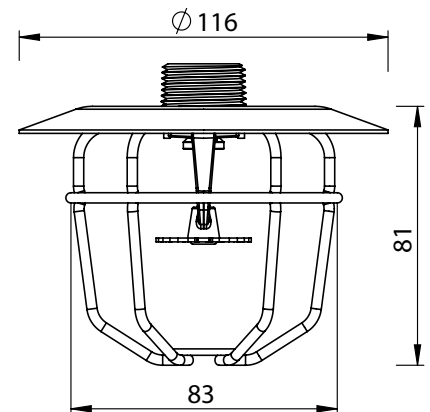
- Chrome Plate
- Epoxy Powder Polyester - White
- Other RAL colours available on request

## Approvals

FM Approved



| Sprinkler Type | Sprinkler Model | Size | K-Factor     | Model Number |        |
|----------------|-----------------|------|--------------|--------------|--------|
|                |                 |      |              | Guard        | Shield |
| Pendent        | RD022           | 1/2" | K80<br>(5.6) | RDGD01       | RDBF01 |
|                | RD023           |      |              |              |        |
|                | RD042           | 3/4" | RDBF02       |              |        |
|                | RD043           |      |              |              |        |
| Upright        | RD044           |      | RDBF03       |              |        |
|                | RD045           |      |              |              |        |



## Ordering Codes

### Guard

RD022, RD023, RD042, RD043, RD044 & RD045 - **RDSPRGUARDCFM**

### Shield

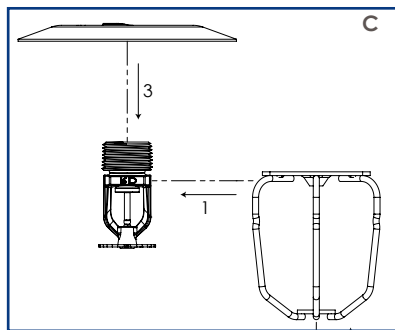
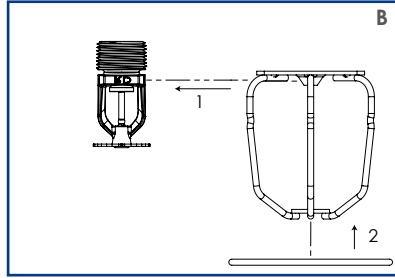
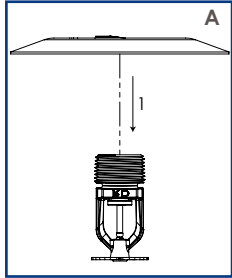
RD022 & RD023 - **RDBAFFSSP015FM**

RD042 & RD043 - **RDBAFFSSP020FM**

RD044 & RD045 - **RDBAFFSSUFM**

### Sprinkler Guard RDGD01

### Sprinkler Shields RDBF01, RDBF02, RDBF03



#### A. Pendent Sprinkler & Shield

- Thread the shield on to the sprinkler. Install the assembly.

#### B. Pendent Sprinkler & Guard.

- Install the sprinkler, refer to appropriate installation instructions.
- Remove the Locking Ring from the Guard.
- Spread 2 halves of the guard apart and carefully slide the guard onto the sprinkler. Make sure the base plate of the guard slots into the groove below sprinkler thread.
- Slide the Locking Ring onto the guard until it locks in position.

#### C. Pendent Sprinkler & Guard & Shield

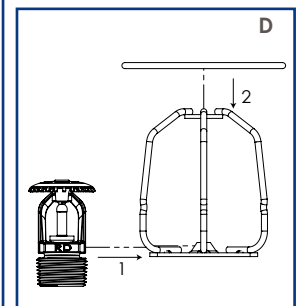
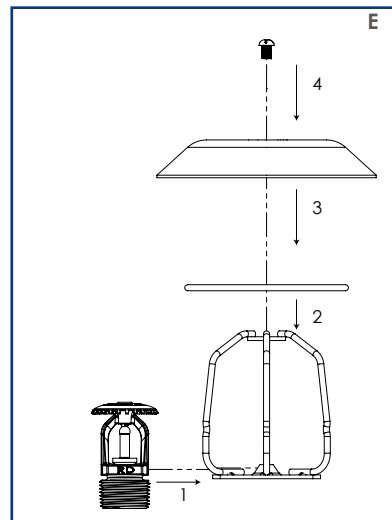
- Thread the shield on to the sprinkler frame
- Install the sprinkler, refer to appropriate installation instructions.
- Remove the Locking Ring from the Guard.
- Spread 2 halves of the guard apart and carefully slide the guard onto the sprinkler. Make sure the base plate of the guard slots into the groove below sprinkler thread.
- Slide the Locking Ring onto the guard until it locks in position.
- Install the sprinkler, refer to appropriate installation instructions.

#### D. Upright Sprinkler & Guard.

- Install the sprinkler, refer to appropriate installation instructions.
- Remove the Locking Ring from the Guard.
- Spread 2 halves of the guard apart and carefully slide the guard onto the sprinkler. Make sure the base plate of the guard slots into the groove above sprinkler thread.
- Slide the Locking Ring onto the guard until it locks in position.

#### E. Upright Sprinkler & Guard & Shield

- Install the sprinkler, refer to appropriate installation instructions.
- Remove the Locking Ring from the Guard.
- Spread 2 halves of the guard apart and carefully slide the guard onto the sprinkler. Make sure the base plate of the guard slots into the groove above sprinkler thread.
- Slide the Locking Ring onto the guard until it locks in position.
- Align the shield with the guard and connect them using supplied M5 screw.



### Important Installation Information

Rapidrop Guards & Shields must only be installed by a competent person in accordance with requirements of the local authority having jurisdiction. Deviations from these standards will invalidate warranty.

It is the responsibility of the installing contractor to include a copy of this document in the sprinkler system installation, operating and maintenance manual.

Alterations to Rapidrop products will void any warranty.

Rapidrop Guards & Shields should be inspected and maintained during routine sprinkler system inspections by a competent person in accordance with national codes/requirements.

Failure to follow these instructions could cause improper operation, resulting in personal injury and/or property damage.

For further details and technical support please contact your Rapidrop sales representative.