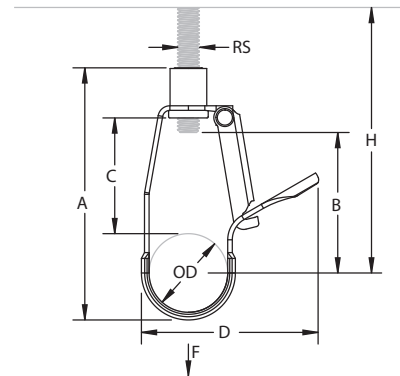




Drop-in Loop Hanger for cPVC Pipe

Features

- Next generation loop hanger revolutionizes the installation of pipe
- Once on the guide arm, the weight of the pipe opens the self-closing latch and effortlessly guides the pipe into place
- Integrated rubber sleeve is designed to provide additional grip when adjusting hanger height and reduce hanger rotation around the barrel nut
- Eliminates the need to disassemble the hanger during installation
- Allows prefabrication of complex assemblies with fittings, sprinkler heads, and branch lines that previously could not be installed in one piece
- Designed to reduce overhead work for a safer, less strenuous installation
- Flared edges help prevent sharp surfaces from coming into contact with the pipe
- Retained insert nut helps ensure the loop hanger and insert nut stay together
- Recommended for the suspension of stationary non-insulated pipe lines
- Manufactured to use the minimum rod size permitted by NFPA® for fire sprinkler piping
- Conforms with Federal Specification WW-H-171 (Type 10), Manufacturers Standardization Society (MSS) SP-58 (Type 10)



Material

Steel

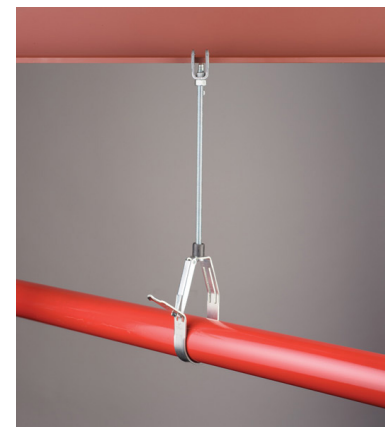
Finish

Electrogalvanized

Dimensions

Size			Rod RS	A	B	C	D	Installation Height H	Static Load	Ordering Codes
DN	OD	Inch								
25	33.7	1"	M10	111.1	65.1	55.6	75.5	88.9 Min	1.334 N	RDC598984
32	42.2	1 1/4"	M10	127.0	79.4	63.5	90.7	104.8 Min	1.334 N	RDC598985
40	48.3	1 1/2"	M10	139.7	87.3	69.9	100.4	111.1 Min	1.334 N	RDC598994
50	60.3	2"	M10	163.5	104.8	82.6	125.0	133.4 Min	1.334 N	RDC598995

Installation Height represents the clearance distance needed from the loop hanger guide arm to structure to allow for installation of pipe.



Manufactured by nvent Caddy who hold FM Approval, cULus Listed and VdS Certificate