



Macrofix Plus NI EZ with Easy Closure for cPVC Pipe

Features

- Contains easy closing mechanism
- Plastic washers help prevent crushing the CPVC or plastic pipe and assure a floating fit
- Flared edges and specially designed welding area help protect CPVC piping
- Suitable for 3/4" - 2" (20 - 50 DN) steel sprinkler pipe
- Combo head bolt works with slotted, hex, or Phillips drivers
- Conforms with Manufacturers Standardization Society (MSS) SP-58 (Type 12)



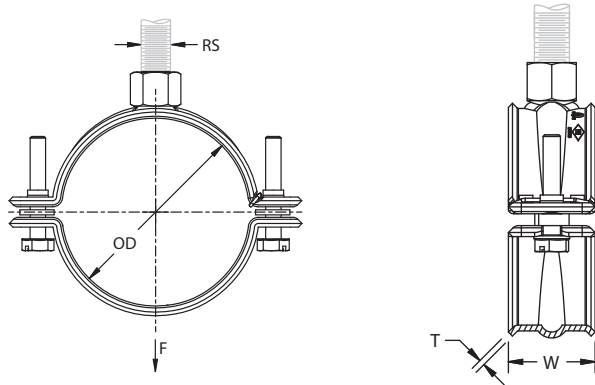
Material

Steel

Finish

Electrogalvanized

Dimensions



DN	Size		Rod RS	W	T	Static Load F	Ordering Codes
	OD	Inch					
*15	20.0-21.3	1/2"	M10	30	1.5	1.125 N	RDC595052
20	25.0-26.9	3/4"	M10	30	1.5	1.125 N	RDC595053
25	32.0-33.7	1"	M10	30	1.5	1.125 N	RDC595054
32	40.0-42.2	1 1/4"	M10	30	1.5	1.125 N	RDC595056
40	48.3-50.0	1 1/2"	M10	30	2.0	1.725 N	RDC595057
50	60.3-63.0	2"	M10	30	2.0	1.725 N	RDC595059
*65	75.0-76.1	2 1/2"	M10	30	2.0	1.725 N	RDC595061
*80	88.9-90.0	3"	M10	30	2.0	1.725 N	RDC595062
*100	110.0-114.0	4"	M10	30	2.5	2.000 N	RDC595063

* Not FM Approved



Manufactured by nvent Caddy who hold FM Approval and cULus Listed