



Rapidrop Miniature Sprinkler Guard

Product Description

Rapidrop Sprinkler Guard encases the sprinkler to protect it from physical damage. Guards are recommended for sprinklers installed in areas exposed to high level of mechanical activities, e.g warehouse racks. Wire clip type guard suitable for use with most 15mm sprinkler heads in either the upright or pendent position

Coating

Chrome Plate

Material Specification

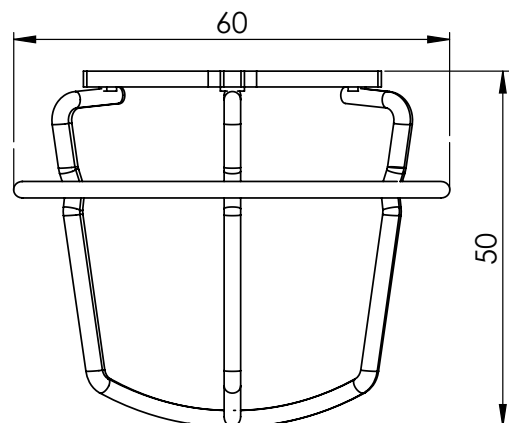
Zinc Plated 13 s.w.g. Steel Wire

Weight 13g



Installation Instructions

- Install the sprinkler, refer to appropriate installation instructions.
- Remove the Locking Ring from the Guard.
- Spread 2 halves of the guard apart and carefully slide the guard onto the sprinkler. Make sure the base plate of the guard slots into the groove below (pendant) or above (upright) sprinkler thread.
- Slide the Locking Ring onto the guard until it locks in position.



Product Ordering Code

RDSPRGUARDC

Important Installation Information

Rapidrop Miniature Sprinkler Guard must only be installed by a competent person in accordance with requirements of the local authority having jurisdiction. Deviations from these standards will invalidate warranty.

It is the responsibility of the installing contractor to include a copy of this document in the sprinkler system installation, operating and maintenance manual.

Alterations to Rapidrop products will void any warranty.

Rapidrop Miniature Sprinkler Guard should be inspected and maintained during routine sprinkler system inspections by a competent person in accordance with national codes/requirements.

Failure to follow these instructions could cause improper operation, resulting in personal injury and/or property damage.

For further details and technical support please contact your Rapidrop sales representative.