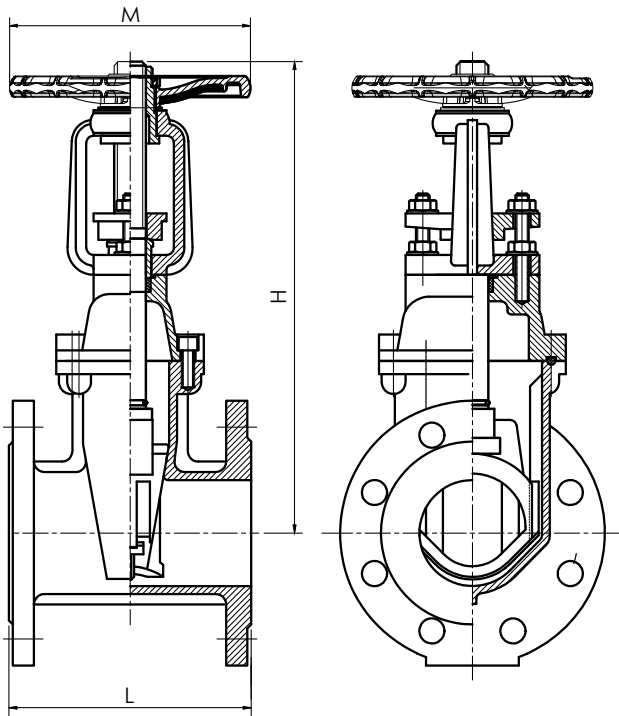


# OS&Y Flanged Gate Valve F4 series Fig. 116FF

## Product Description

Rapidrop Fig.116FF Valve is a manually operated, outside screw & yoke resilient wedge gate valve designed for use in fire protection systems for on/off operation only. The lightweight ductile iron body allows for easier handling and reduced shipping costs. Valves are suitable for both vertical and horizontal installation.

Valve components are corrosion resistant or coated with a thermally applied fusion-bonded epoxy. The EPDM encapsulated ductile iron wedge with a compression mechanism is designed to achieve water tight sealing and low torque operation. The stem is pre notched to accommodate OSY2 limit switch.



### Maximum Working Pressure

16 bar (232 PSI)

### Temperature Range

0°-80°C

### Coating

Fusion Bonded Epoxy Coating in accordance with ANSI /AWWA C550

### Flange Specification

EN 1092-2 , PN16 raised face

### Design Standards

EN 558-1 / Series 14

EN 1171

## Sizes

SIZES		Dimensions (mm)				Weight (Kg)	Product Ordering Code
Inch	mm	L	H (Closed)	H (Open)	M		
2"	DN 50	150	323	373	180	11.0	RD116FF050
2.5"	DN 65	170	343	408	180	13.0	RD116FF065
3"	DN 80	180	370	450	200	17.8	RD116FF080
4"	DN 100	190	442	542	254	22.9	RD116FF100
5"*	DN 125	200	540	665	280	35.0	RD116FF125
6"	DN 150	210	608	758	305	45.4	RD116FF150
8"	DN 200	230	720	920	350	60.5	RD116FF200
10"	DN 250	250	940	1190	450	124.1	RD116FF250
12"	DN 300	270	1065	1365	450	188.5	RD116FF300

\*Not FM approved



# OS&Y Flanged Gate Valve F4 series Fig. 116FF

## Installation

Rapidrop Figure 116FF Flanged Gate Valve is suitable for indoor and outdoor use. The valve should be installed in a location easily accessible for operation and maintenance. The valve may be installed in any position and the flow may be from either direction through the valve. Valves should be supported independently to prevent the movement and stresses from the connecting piping system.

1. Visually inspect the valve, make sure that the connecting flanges are clean of debris and any foreign materials.
2. Ensure that valve is in the closed position during handling and installation process.
3. Insert the valve with appropriate gaskets between the flanges and tighten all flange bolts using the crossover method.
4. After tightening the bolts check the operation by fully opening and closing the valve.
5. Before pressurising the system make sure the valve is in fully open position.

## Material Specification

No	Description	Material
1	Valve Body	Ductile Iron
2	Disc	Ductile Iron + EPDM
3	Bonnet	Ductile Iron
4	Stem	Stainless Steel
5	Gland	Ductile Iron
6	Yoke	Ductile Iron
7	Handwheel	Ductile Iron
8	Locknut	Carbon Steel Zinc Plated
9	Gland Nut	Carbon Steel Zinc Plated
10	Stem Packing	EPDM

## Care and Maintenance

The valve should never be forced to seat by applying a wrench to the handwheel as this may distort the valve components. The use of excessive force to open or close the valve violates all warranties.

The valve should not be used to force a pipeline into position as this may result in the damage of the valve components.

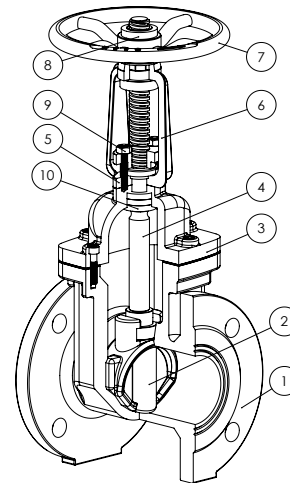
Rapidrop gate valves require no regular maintenance, however it is advisable to inspect and verify proper operation of the unit annually or in accordance with the authority having jurisdiction.

The inspection should include a visual check for leakage at the pipe connection and the stem. In case of leakage around the stem area, tighten the gland nuts (9) evenly approximately a quarter turn in clockwise direction.

It is recommended to shut down the system if repacking the valve is necessary. Inspection and maintenance should be performed by a competent person in accordance with national codes/requirements.

Debris in the piping system might cause difficulties in closing the valve, this problem can be overcome by backing off the handwheel and closing the valve again.

Rapidrop Figure 116FF Flanged Gate Valves are suitable for both indoor and outdoor use. Minor degradations of surface finish should not affect the performance of the valve.



## Important Installation Information

- Rapidrop Figure 116FF Flanged Gate Valve must only be installed by a competent person in accordance with requirements of the local authority having jurisdiction. Deviations from these standards will invalidate warranty.
- It is the responsibility of the installing contractor to include a copy of this document in the sprinkler system installation, operating and maintenance manual.
- Alterations to Rapidrop products will void any warranty.
- Figure 116FF Flanged Gate Valve should be inspected and maintained during routine sprinkler system inspections by a competent person in accordance with national codes/requirements.
- Failure to follow these instructions could cause improper operation, resulting in personal injury and/or property damage.
- For further details and technical support please contact your Rapidrop sales representative.