

Flow Meters

Description

LPCB approved sprinkler system flow meter that can be installed between flanges or with grooved couplings. The unit includes integral restrictor and bleed assembly, filter and drain assembly plus spare metering glass. The preferred installation pipe layout would include the optional full bore isolating valve upstream of the meter and a control valve downstream of the meter.

Pressure & Temperature

Max. Working Pressure: 16 Bar
 Max. Test Pressure: 30 Bar
 Max. Operating Temperature: 90C

Material Specification

- Main Orifice Carrier – 316 Stainless Steel flow orifice mounted in polyester coated carbon steel carrier.
- By Pass Flow Indicator – Nickel plated copper tubing with brass connections. Stainless steel element.
- Borosilicate glass indicator tube.
- Polycarbonate filter bowl.
- Viton seals.



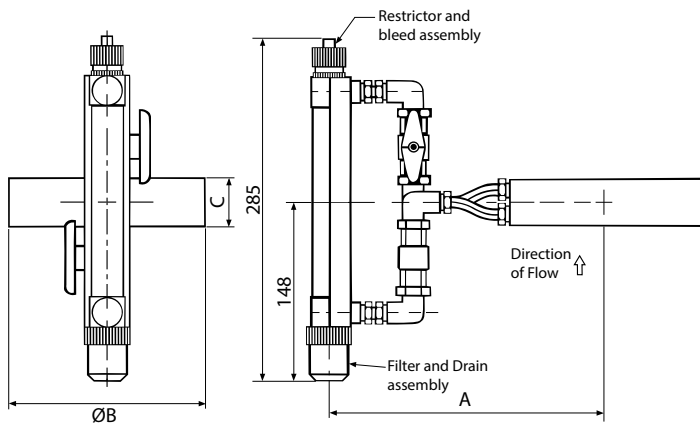
Flow Rate

Flowmeter Type	Flow Range (dm ³ /min)	LPCB Ref. No.	Test Flows (dm ³ /min) Tolerance +/- 5%
DN50 Flanged	150 - 700	464a/01	500
DN50 Grooved	150 - 700	464a/06	500
DN 80 Flanged	300 - 1600	464a/02	500, 800, 1300, 1500
DN80 Grooved	300 - 1600	464a/07	500, 800, 1300, 1500
DN100 Flanged	500 - 3500	464a/03	500, 800, 1300, 1500, 2200, 2500, 3500
DN100 Grooved	500 - 3500	464a/08	500, 800, 1300, 1500, 2200, 2500, 3500
DN150 Flanged	900 - 7900	464a/04	1300, 1500, 2200, 2500, 3500, 4500, 5000, 7000
DN150 Grooved	900 - 7900	464a/09	1300, 1500, 2200, 2500, 3500, 4500, 5000, 7000
DN200 Flanged	2000 - 15000	464a/05	4500, 5000, 7000, 9000
DN200 Grooved	2000 - 15000	464a/10	4500, 5000, 7000, 9000

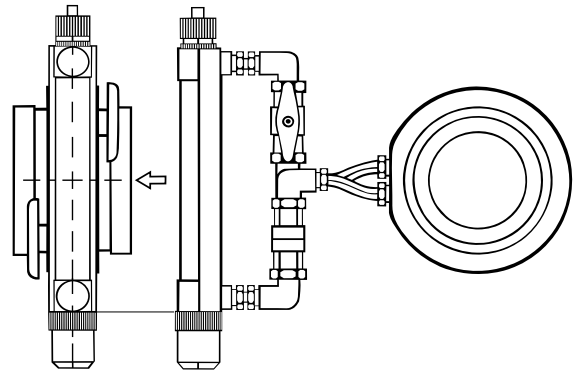
Manufactured by Influx Measurements Limited who hold LPCB Certificate

Flow Meters

Typical Flange Pipe Version

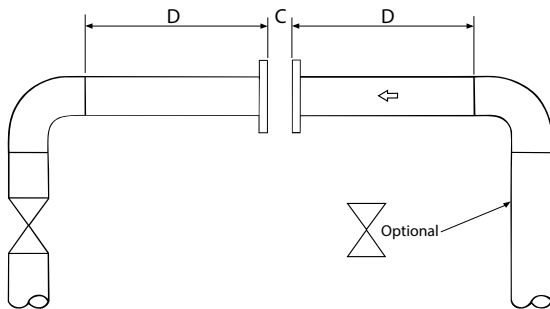


Typical Grooved Pipe Version



Dimensions

Flow Meter Type	A (mm)	B (mm)	C (mm)	D (mm)
DN50 Flanged	197	98	40	250
DN50 Grooved	195	95	90	250
DN80 Flanged	212	130	40	400
DN80 Grooved	205	120	90	400
DN100 Flanged	228	162	40	500
DN100 Grooved	218	145	90	500
DN150 Flanged	244	214	40	750
DN150 Grooved	243	194	90	750
DN200 Flanged	283	272	40	1000
DN200 Grooved	268	245	100	1000



Important Installation Information

- Rapidrop *Flow Meter* must only be installed by a competent person in accordance with requirements of the local authority having jurisdiction. Deviations from these standards will invalidate warranty.
- It is the responsibility of the installing contractor to include a copy of this document in the sprinkler system installation, operating and maintenance manual.
- Alterations to Rapidrop products will void any warranty.
- *Flow Meter* should be inspected and maintained during routine sprinkler system inspections by a competent person in accordance with national codes/requirements.
- Failure to follow these instructions could cause improper operation, resulting in personal injury and/or property damage.
- For further details and technical support please contact your Rapidrop sales representative.

Manufactured by Influx Measurements Limited who hold LPCB Certificate