



A61 Test & Drain Valve



Product Description

A61 Test and Drain valve for sprinkler systems combines the functions of test and drain for wet sprinkler systems. A61 valves have forged brass body with chrome plate brass ball valve and PTFE seats. The valves comply with the requirements of NFPA-13, NFPA-13R and NFPA-13D.

The A61 valves are single handle ball valves with three working positions. They include tamper resistant test orifice and sight glass for the visual control.

Product Specifications

Test and drain valve for sprinkler systems combines the functions of test and drain for wet sprinkler systems, complies with the requirements of NFPA-13, NFPA-13R and NFPA-13D and is FM Approved and UL Listed.

Main feature as following:

- NPT threads 1" - 1 1/4" - 2"
- Grooved connections - 32mm - 50mm (1 1/4" - 2")
- Forged brass body
- Chrome plate brass ball valve
- PTFE seats
- Single handle ball valves with three working positions
- Tamper resistant test orifice and sight glass included

Technical Data

Rated pressure: 20 bar (300psi)



Female x Female

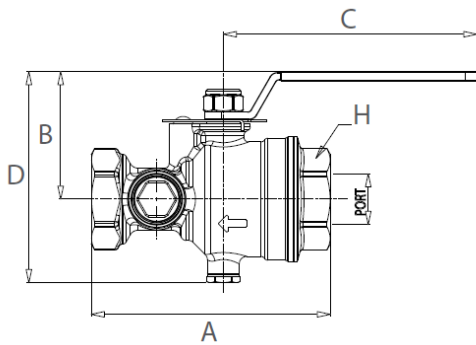
Groove x Groove

Materials

- Forged brass body
- Chrome plated ball
- Steel handle
- Valve seat in PTFE
- Indication disk in brass
- Sight glasses in polycarbonate

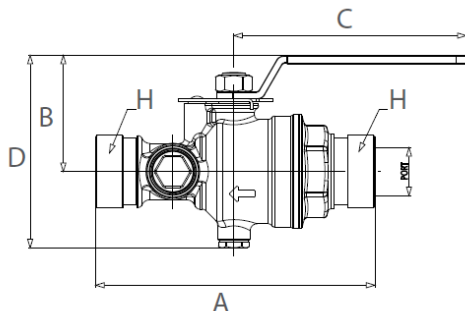
Test/Approvals

- FM Approval
- UL Listed



Female x Female Valves

Size mm (in)	Plug	Port	A mm	B mm	C mm	D mm	H mm
25 (1")	6 (1/4")	27 (1 1/16")	128 (5 1/32")	68 (2 43/64")	136 (5 11/32")	112 (4 27/64")	48 (1 57/64")
32 (1 1/4")	6 (1/4")	27 (1 1/16")	128 (5 1/32")	68 (2 43/64")	136 (5 11/32")	112 (4 27/64")	48 (1 57/64")
50 (2")	6 (1/4")	45 (1 12/16")	157 (6 6/32")	100 (4")	173 (6 26/32")	161 (6 21/64")	67 (2 40/64")



Groove x Groove Valves

Size mm (in)	Plug	Port	A mm	B mm	C mm	D mm	H mm
32 (1 1/4")	6 (1/4")	27 (1 1/16")	163 (6 13/32")	68 (2 43/64")	136 (5 11/32")	112 (4 27/64")	32 GROOVE (1 1/4")
50 (2")	6 (1/4")	45 (1 12/16")	191 (7 17/32")	100 (4")	173 (6 26/32")	161 (6 21/64")	50 GROOVE (2")

Manufactured by Giacomini who have the FM Approval and UL Listing

DS: 7.03
Issue B
20/06/2016
© 2016 Rapidrop

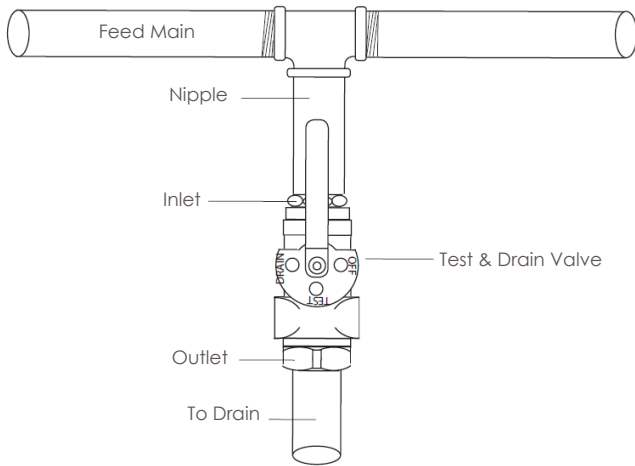
Rapidrop Global Ltd
T: +44 (0) 1733 847 510 F: +44 (0) 1733 553 958
e: rapidrop@rapidrop.com
w: www.rapidrop.com



A61 Test & Drain Valve



A61 is a drain and test fitting for use as special type drain fitting for Fire Protection Service in accordance with Standard for Installation of Sprinkler System.



Installation Instructions

1. Direction of the flow to "drain" or to "test" shall comply with the direction of the arrows.
2. Sight glasses shall be located downstream.
3. Thread or groove pipe nipple into the inlet of the valve.
4. Thread or groove pipe nipple and valve into the outlet on the feed main.
5. Thread or groove piping from outlet of the valve to drain.

Valve Operating Instructions

1 TO TEST

Turn valve handle to "TEST" on the indicating plate.

After test is completed return handle to "OFF" position.

2 TO DRAIN

Turn handle to "DRAIN".

When system is empty return handle to "OFF" position.

Model	Size	Type
RD61	25mm (1")	NPT Fx F
	32mm (1 1/4")	
	50 (2")	
	32mm (1 1/4")	Groove x Groove
50mm (2")		

Valves size	Orifice Size	K factor
25 mm (1")	9.5 mm (3/8")	40 (2.8)
	11.1 mm (7/16")	57 (4.2)
	12.7 mm (1/2")	80 (5.6)
	13.5 mm (17/32")	115 (8.0)
32 mm (1 1/4")	9.5 mm (3/8")	40 (2.8)
	11.1 mm (7/16")	57 (4.2)
	12.7 mm (1/2")	80 (5.6)
	13.5 mm (17/32")	115 (8.0)
	15.9 mm (5/8")	160 (11.2)
50mm (2")	19.0 mm (3/4")	200 (14.0)
	11.1 mm (7/16")	57 (4.2)
	12.7 mm (1/2")	86 (5.6)
	13.5 mm (17/32")	115 (8.0)
	15.9 mm (5/8")	160 (11.2)
	19.0 mm (3/4")	200 (14.0)
	23.8 mm (15/16")	240 (16.8)
6.0 mm (15/64")	320 (22.4)	
7.5 mm (19/64")	360 (25.2)	

Where flowrate (lpm) and loss of pressure (bar) are related as follows: $Q [lpm] = K \sqrt{P [bar]}$