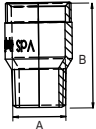
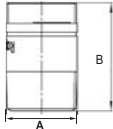
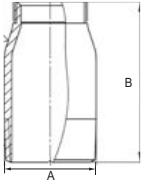
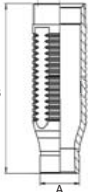
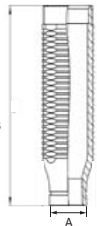
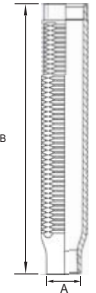
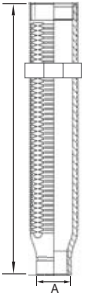


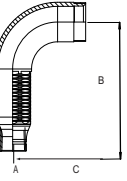
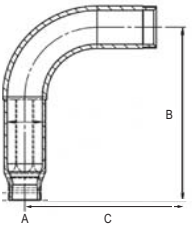
Rapidrop® Flexible Sprinkler Connections Inlets, Outlets & Support Brackets



Dimensions

	Inlet Options			Outlet Options			
							
A	R 3/4 (3/4" BSPT)	R1 (1" BSPT)* or 1" NPT	R1.1/4 (1.1/4" BSPT)	Rc 1/2 (1/2" BSPT) or 1/2" NPT	Rc 1/2 (1/2" BSPT) 1/2" NPT* or Rc 3/4 (3/4" BSPT) 3/4" NPT	Rc 1/2 (1/2" BSPT) or 1/2" NPT	Rc 1/2 (1/2" BSPT) or 1/2" NPT
B mm	55	55	78	85	110	170	170
C mm	-	-	-	-	-	-	-
	* Standard Thread			Use with A2 Bracket			



	Outlet Elbows	
		
A	Rc 1/2 (1/2" BSPT) 1/2" NPT* or Rc 3/4 (3/4" BSPT) 3/4" NPT	Rc 1/2 (1/2" BSPT) 1/2" NPT* or Rc 3/4 (3/4" BSPT) 3/4" NPT
B mm	110	137
C mm	65	100
	Use with A2 Bracket	Use with A2A Bracket

Material Specifications

All inlets and outlets are made from carbon steel, zinc plated.

Rapidrop Global

Rutland Business Park, Newark Road, Peterborough PE1 5WA, United Kingdom

Tel: +44 (0) 1733 370 444 Fax: +44 (0) 1733 553 958

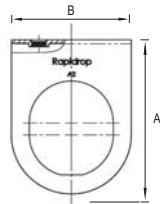
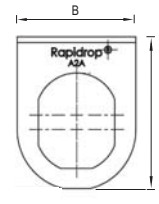
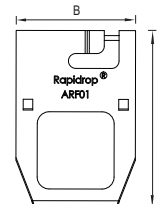
e-mail: rapidrop@rapidrop.com web: www.rapidrop.com

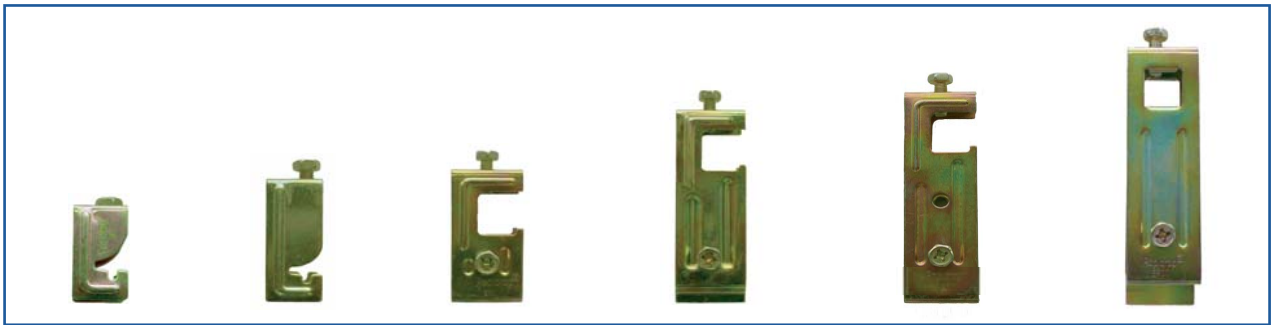
Continued Overleaf

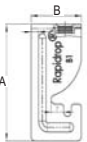

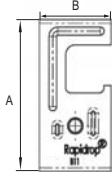
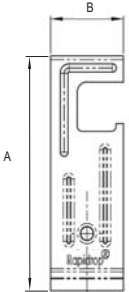
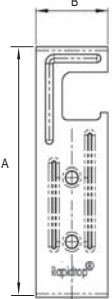
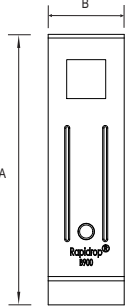
Page 1 of 3

Rapidrop® Flexible Sprinkler Connections Inlets, Outlets & Support Brackets



	A2	A2A	ARF01
			
A mm	65	62.5	74
B mm	50	50	50



	B1	B9	B11	B4-1E	B7	B900
						
A mm	38	53	60	90	99	107
B mm	20	20	30	30	30	30
	Plasterboard	Extended Plasterboard	Lift Out Ceiling Tile Pendent Sprinkler	Lift Out Ceiling Tile (FM Approved)	Lift Out Ceiling Tile Concealed Sprinkler	Plasterboard Ceiling Concealed Sprinkler

International patent pending.

Material Specifications

All brackets are made from mild steel, zinc plated.

Rapidrop Global

Rutland Business Park, Newark Road, Peterborough PE1 5WA, United Kingdom

Tel: +44 (0) 1733 370 444 Fax: +44 (0) 1733 553 958

e-mail: rapidrop@rapidrop.com web: www.rapidrop.com

Rapidrop® Flexible Sprinkler Connections Inlets, Outlets & Support Brackets

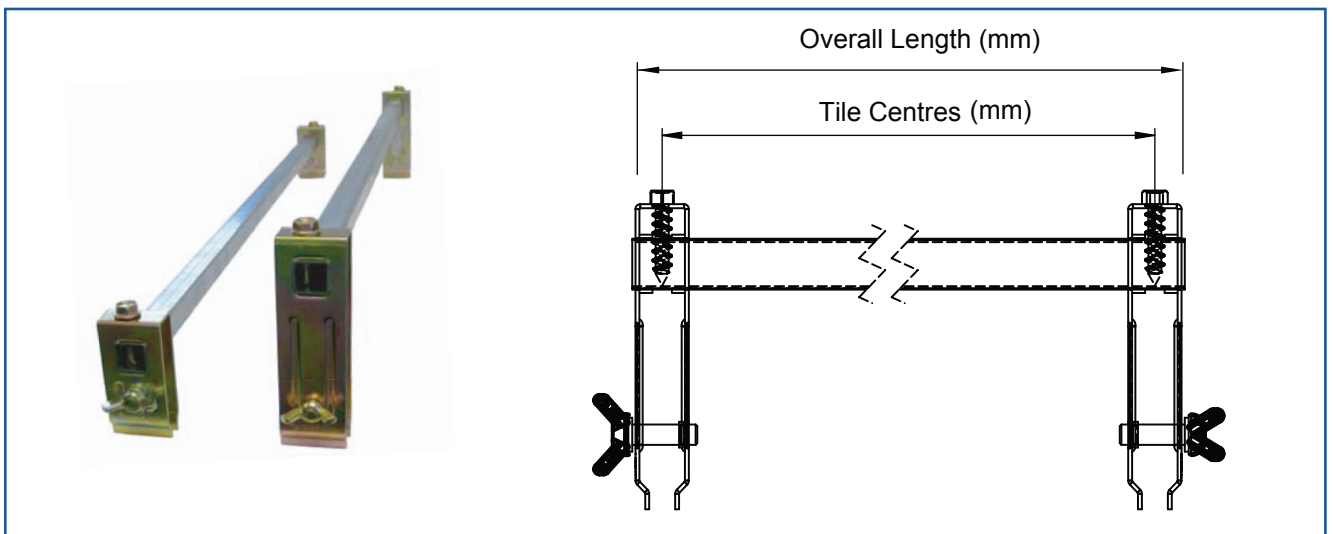
Square Bar

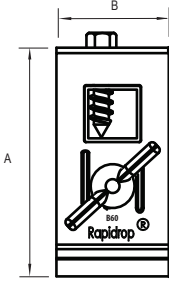
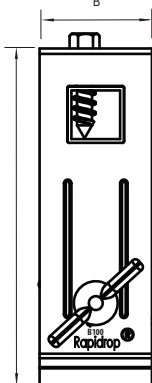
Length (mm)	640	800	1000	1240	1600
-------------	-----	-----	------	------	------

Material Specifications

Square Bars are made from mild steel, zinc plated.

Bracket Assembly



	B60 / 600	B100 / 600
		
A mm	60	100
B mm	30	30
Sprinkler type	Pendent	Concealed
Tile Centres mm*	600	600
Overall Length mm	618	618

International patent pending.

*Optional 610mm, 625mm

Rapidrop Global